

Infusion Tea and Coffee Brewer



Features

Iced tea/hot tea/hot coffee brewer

- Brew 3 beverages from one model, less than 12" (30.5 cm) wide.
- Large tank provides back-to-back brewing capacity.
- Two programmable batch switches allow full and half batch brewing of iced tea.
- Brews into most BUNN iced tea dispensers and airpots.
- BrewWISE® intelligence with pre-infusion and pulse brew for maximum flavor extraction. Digital temperature control and cold brew lockout.
- Digital display in English and Spanish for easier programming and control. Advertising messages and machine status also displayed. Display capable of showing English or Metric measurements.
- Brew counter keeps track of how many batches brewed.
- Additional iced coffee recipe included.
- Integrated flip tray converts to three positions: thermal carafe, airpot and tea dispenser.
- Includes two funnels for tea and coffee.
- Brew capacity varies by model. See back for details.

ITCB

(airpot and tea dispenser sold separately)
Dimensions: 30.87" H x 10.12" W x 23.22" D
(78.4cm H x 25.7cm W x 58.98cm D)

For current specification sheets and other information, go to www.bunn.com.

International models may vary in appearance.

Related Products

TDO-4 Tea Dispenser (solid lid)
Product No. : 34100.0000

TDO-4 Tea Dispenser (brew-through lid)
Product No. : 34100.0002



2.5 litre Lever-Action Airpot
Product No. : 32125.0000

2.5 litre Lever-Action Airpot (6 Units)
Product No. : 32125.0100

3.0 litre Lever-Action Airpot
Product No. : 32130.0000

3.0 litre Lever-Action Airpot (6 Units)
Product No. : 32130.0100

3.8 litre Lever-Action Airpot
Product No.: 36725.0000

Thermal Server/Airpot Booster Short
Product No.: 35976.0000



Easy Clear® EQHP-10
Product No.: 39000.0004

Easy Clear® EQHP-10L
Product No.: 39000.0001

Easy Clear® EQHP-TEA
Product No.: 39000.0007

Easy Clear® EQHP-TEACRTG
Product No.: 39000.1007



Dimensions & Specifications

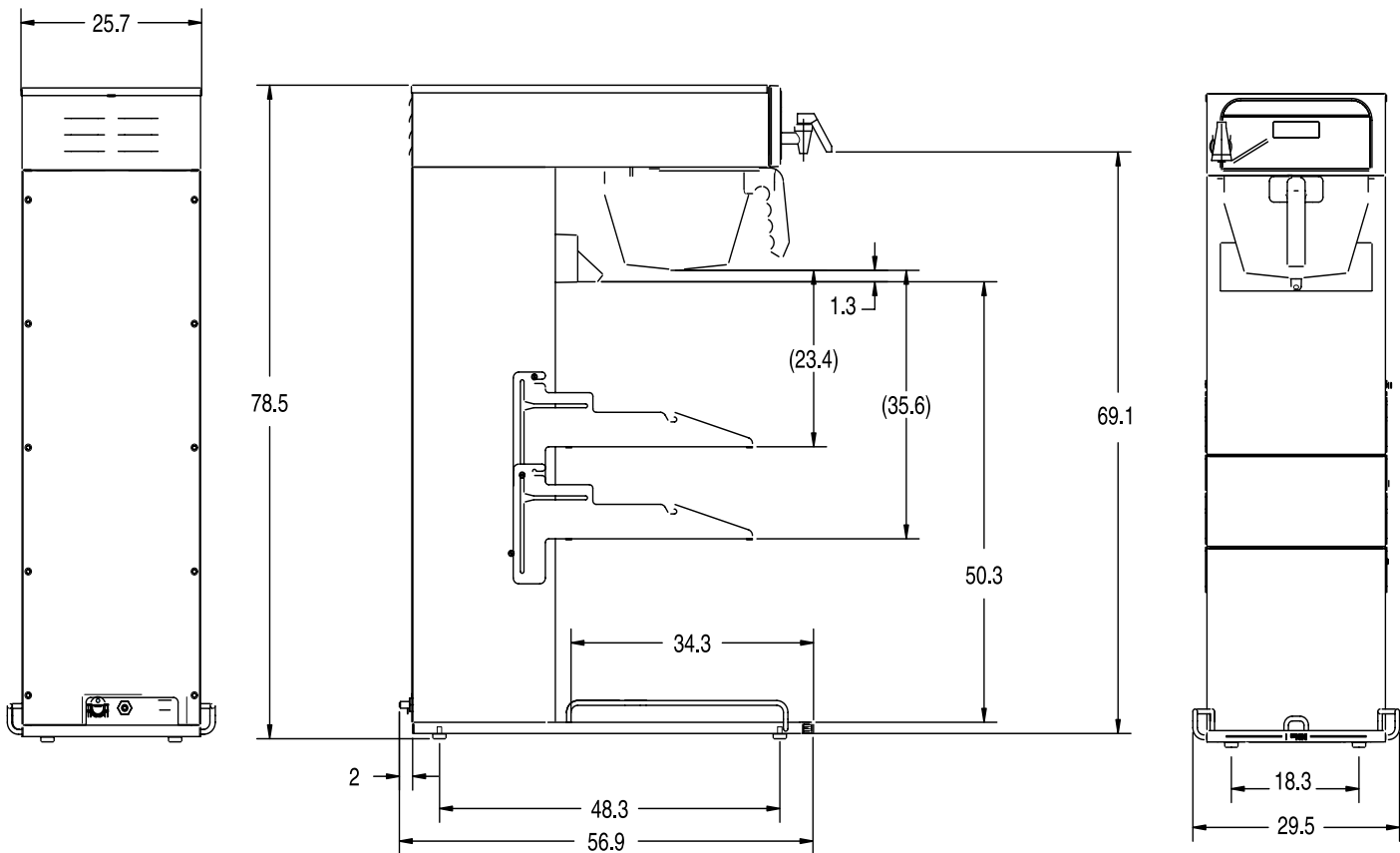
Model	Product #	Volts	Amps	Total Watts	Brewing Capacity	Shipping Weight	Cord	Agency
ITCBA w/flip tray	35700.0022	230	14	3200	7.5 gal/hr (28.3 L/hr.)	50 lbs. (27.2 kg)	No	☐☐
ITCB w/flip tray	35700.0026	200	17.5	3500	7.5 gal./hr. (28.3 L/hr.)	50 lbs. (27.2 kg)	No	

Brewing capacity: based on incoming water temp of 60°F/15°C (140°C/60°F rise) per 1/2 gallon (1.89 litres) brew time of 4 minutes.

Electrical: 230 volt model requires 2-wires plus ground service rated 220-240V, single phase, 50/60 Hz.

200 volt model requires 2-wires plus ground service, single phase, 50/60 Hz.

Plumbing: 20-90 psi (138-621 kPa). Model supplied with a 1/4" male flare fitting.



Bunn-O-Matic® Corporation - 1400 Stevenson Drive Springfield, Illinois 62703 • USA • +1-217-529-6601 • Fax +1-217-529-2827 • www.bunn.com

BUNN® practices continuous product research and improvement. We reserve the right to change specifications and product design without notice. Such revisions do not entitle the buyer to corresponding changes, improvements, additions or replacements for previously purchased equipment.

All dimensions shown in centimeters. Bunn-O-Matic Corporation owns all copyrights relating to materials in this publication. Please contact BUNN to request permission to reproduce any portion of this publication.